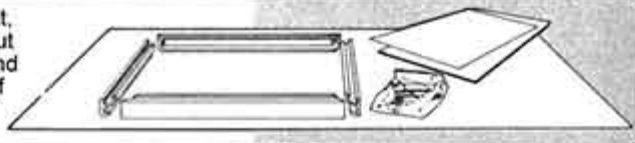


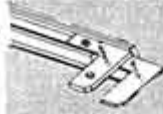
FRAME ASSEMBLY INSTRUCTIONS

nielsen

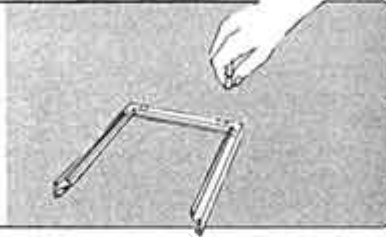
- 1 Be sure working surface is flat, then open package and lay out frame, choosing top bottom and sides. Then open poly bag of hardware.



- 2 Insert two angles (the stamped Nielsen on both angles should be facing out) into the track at each end of the bottom piece of the frame, the thin angle inside and the heavy angle outside. Do not tighten screws.



- 3 Slide the pieces of the frame onto the exposed angles and tighten each of the four screws.

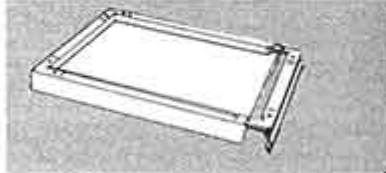


- 4 Slide the glass, mat, picture, backing etc., into the channel.

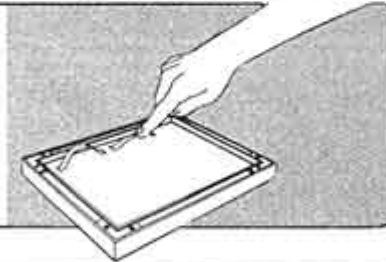


- 5 Insert the remaining corner angles into each end of the top of the frame. Slide the exposed angles into the side pieces of the frame and tighten the four set screws.

Inspect the front of the frame to see that the corners are correctly aligned; then check all the screws to be certain they are tight.



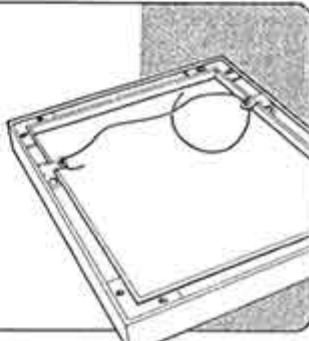
- 6 Insert the spring tension clips between the joining track and the backing. When dismantling the frame for any reason, be sure to remove the spring clips before opening the corners.



- 7 The omni hanger is installed by tilting it so that it rests securely under the hardware channel lip. Once in position, tighten and screw until secured. Fits all profiles.



- 8 A typical application of a snap hanger and how the wire should be installed. Frame is now ready for hanging!



- 9 The rubber wall bumper will provide frame stability as well as protect wall surfaces from marking. Bumpers are easy to put on. Peel from backing and apply to bottom corner angles.

