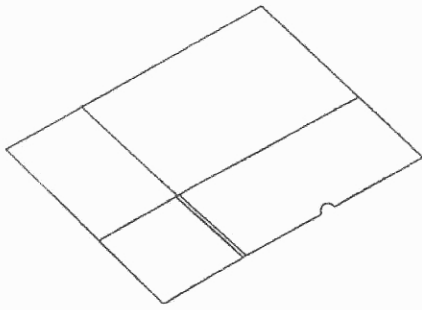
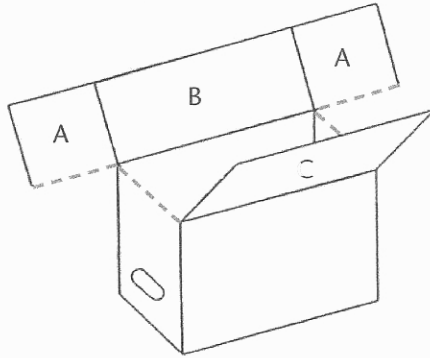


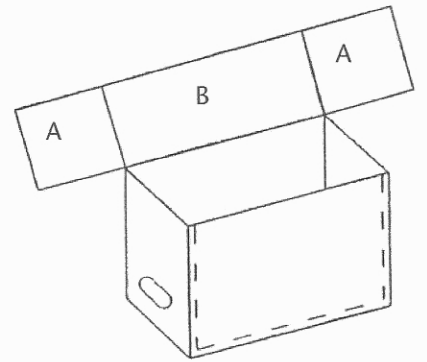
Carton is shipped flat.



1. "Punch out" perfed panel A (attached to both sides of carton). Panels will open flat.

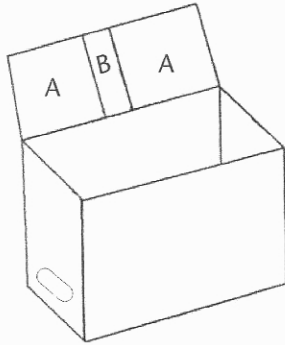


2. Fold panel C completely over and down to inside of carton.

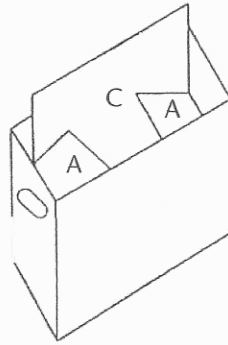


### Assembly Instructions Half Size Record Storage Box

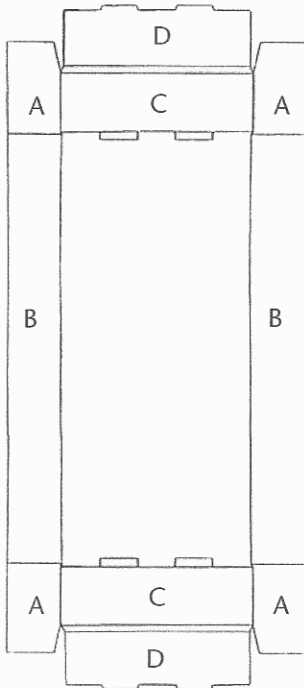
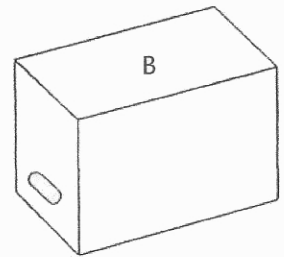
3. Fold both panels A toward middle of panel B. Both panels A should rest on panel B.



4. Push both panels A against side of carton. Fold panel C down and lay flush against bottom of carton.



5. This is how bottom of carton will look.



### Cover Half Size Record Storage Box

1. Fold both end panels B up to 90° of bottom.
2. Fold both panels A inward to both end panels B.
3. Fold both outside side panels C up (90° to bottom).
4. Fold both inside side panels D over both panels A and lock tabs into slots.

